

meshFlex® STANDARD Stab protection gloves – Operating Instructions



Harmonisation legislation

The manufacturer **ReiKo aproTex GmbH** declares that all **meshFlex® STANDARD** stab protection gloves with and without cuff are in accordance with EU regulation 2016/425 and that the products named in the EC type-examination certificate (according to EN 1082-1, 1997/03) are identical to the samples tested by the DGUV and are subject to the conformity assessment procedure on the basis of internal product and production controls at regular intervals. The declaration of conformity is available on the manufacturer's website (www.service.reiko-aprotex.com).

Harmonised standards

The products have been tested and certified according to the requirements of the following European standards:

- **DIN EN 1082-1:1996**

"Protective clothing - Gloves and arm guards protecting against cuts and stabs by hand knives"

- **DIN EN 1811:2011+A1:2015**

"Reference test method for release of nickel from all post assemblies which are inserted into pierced parts of the human body and articles intended to come into direct and prolonged contact with the skin"

Notified Body

DGUV Test Prüf- und Zertifizierungsstelle
Nahrungsmittel und Verpackung, Fachbereich Nahrungsmittel
der Deutschen Gesetzlichen Unfallversicherung e.V. (DGUV)
Dynamostraße 7-11 | D-68195 Mannheim | Kenn-Nr.: 0556

Manufacturer

ReiKo aproTex GmbH
Ollsener Straße 54a | 21271 Hanstedt | Deutschland
Fon: +49(0)40 80 00 84 533 | info@reiko-aprotex.com | reiko-aprotex.com

meshFlex® STANDARD Stab protection gloves – Operating Instructions

Model Overview

Description	Type	Size	Reversibility (left-right)
Stab protection glove without cuff	PB0005	Brown	Yes, it can be worn on both sides
	PB0006	Green	
	PB0007	White	
	PB0008	Red	
	PB0009	Blue	
	PB0010	Orange	
Stab protection glove with 16 cm cuff	PB1605	Brown	Yes, it can be worn on both sides
	PB1606	Green	
	PB1607	White	
	PB1608	Red	
	PB1609	Blue	
	PB1610	Orange	
Stab protection glove with 20 cm cuff	PB2005	Brown	Yes, it can be worn on both sides
	PB2006	Green	
	PB2007	White	
	PB2008	Red	
	PB2009	Blue	
	PB2010	Orange	
Stab protection glove with shoulder cuff (fullarm)	PB9007	White	No, not reversible and therefore not wearable on both sides left version only
	PB9008	Red	
	PB9009	Blue	
	PB9010	Orange	
	PB9011	Olive	
Stab protection glove with shoulder cuff (fullarm)	PB9007R	White	No, not reversible and therefore not wearable on both sides right version only
	PB9008R	Red	
	PB9009R	Blue	
	PB9010R	Orange	
	PB9011R	Olive	

meshFlex® STANDARD Stab protection gloves – Operating Instructions

General information

This instruction manual is intended for users of **meshFlex® STANDARD** stab protection gloves. Before use, the operating instructions must be read carefully and observed. In case of queries, contact the employer or manufacturer. If you have any questions, please contact the manufacturer or your specialist dealer.

Application Note

meshFlex® STANDARD stab protection gloves provide reliable protection against cut- and puncture wounds when working with a hand knife or a similar manual hand tool in the direction of the hand and forearm (gloves with cuff). These gloves are worn in particular when using knives in slaughterhouses, meat processing plants, canteen kitchens and when processing leather, textiles or plastics and similar materials.

Safety Instructions

The following safety measures should be observed when using **meshFlex® STANDARD** stab protection gloves:

1. The condition of the glove must be checked every working day before use. In the event of defects such as deformed, defective or missing rings and/or on the closure strap or on the push-button buckle, the glove must be presented to the employer for replacement.
2. Use only the spare parts manufactured by the manufacturer (**ReiKo aproTex GmbH, meshFlex®**).
3. The glove may not be changed or re-assembled by the user and must be used in the delivered version.
4. The glove is made of stainless steel and is therefore electrically conductive and must not be worn near open and unprotected cables that carry electrical voltage and for working on electrical systems.
5.
 - a) The glove does not offer any protection when working with powered knives or knife blades that have teeth. They are also not permitted for saws and similar tools, when working on skinning- or derinder-machines, cutters etc. or when working on machines and devices that can pull in the metal ring mesh or glove parts. To do this, read the operating instructions or contact the manufacturer of the relevant machine or device.
 - b) The glove was designed and manufactured in accordance with the European standard EN 1082-1. They have been developed for use under normal working conditions. No knives may be used whose blades are 20 mm from the tip and less than 12.5 mm wide.
 - c) The glove should not be worn on the knife-carrying hand, but on the hand holding the product.
6. The user is required to check the suitability of the article for the intended purposes on his own responsibility. Thus, depending on the work, a glove with a cuff extension can also be selected to protect the forearm from cuts or stab wounds. Only the hand and arm areas covered by the ring fabric are protected from injuries from cuts and stitches when using hand knives and similar tools. Depending on the requirements of a risk analysis of the workplace, more extensive protective measures, e.g. it may be necessary to wear a stab protection apron or boleros. If other parts of the body are to be protected from cuts or stab wounds, it is necessary to wear additional personal protective equipment.
7. Not suitable for handling hazardous substances.
8. To maintain the high quality of your **meshFlex® STANDARD** gloves for as long as possible, please follow the care and storage instructions.

meshFlex® STANDARD Stab protection gloves – Operating Instructions

Size selection

The glove size must be adjusted before use. The right size must not be chosen too small, as the ring fabric is not elastic, so the glove should fit the finger and palm area. In conjunction with textile and plastic underwear gloves, the accuracy of fit and freedom of movement of the finger area must also be ensured. With the hand open, therefore, there is a material overhang on the finger, which is necessary for unhindered movement.

The sizes of the gloves are marked in color (see color of the closure strap) and additionally with letters (see table) on the plaque on the glove as follows:

Band Color Glove	brown	green	white	red	blue	orange	oliv
Size Marking Plaque	XXS	XS	S	M	L	XL	XXL
Size	5	6	7	8	9	10	11

The gloves can be selected without and with cuff extension. Depending on the work intensity and safety level, the right glove must be selected here.

meshFlex® STANDARD Stab protection gloves – Operating Instructions

Adjusting

The gloves can be worn either on the right or left hand. The gloves are delivered for the left hand, for wearing on the right hand the gloves can be easily turned.

Turning from left to right hand:

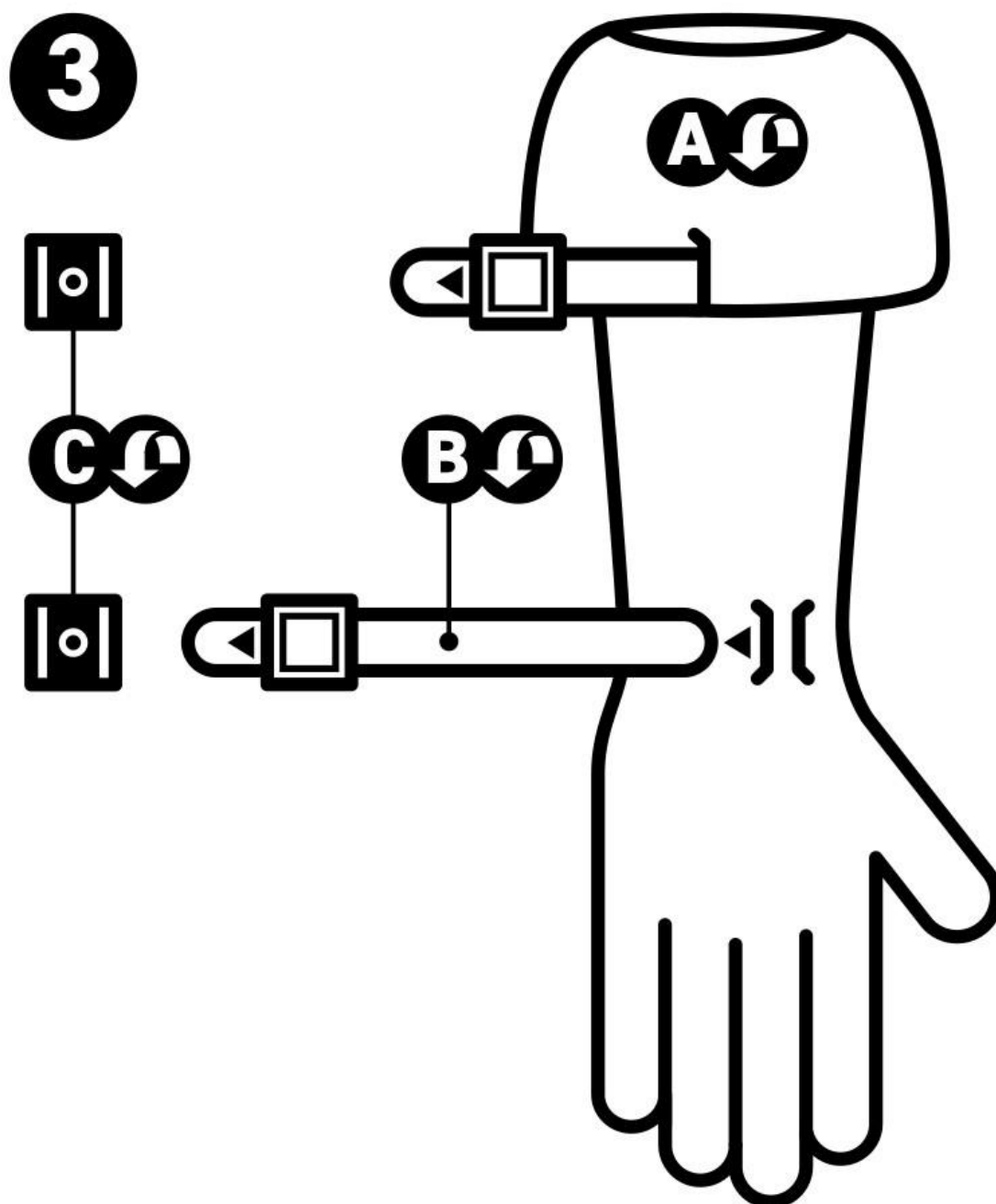
1. Turn the glove inside out.

Only for stab protection gloves with cuff:

A: Turn the glove inside out.

B Then take out the band and pull it in in the same way as the cuff band, so that it can be closed correctly using a push button on the wrist.

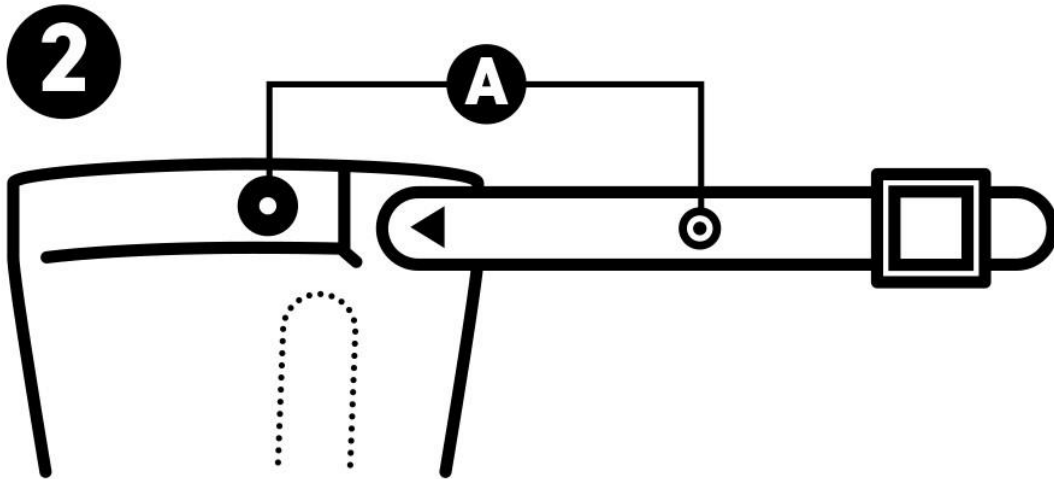
C Finally, both buckles are turned over.



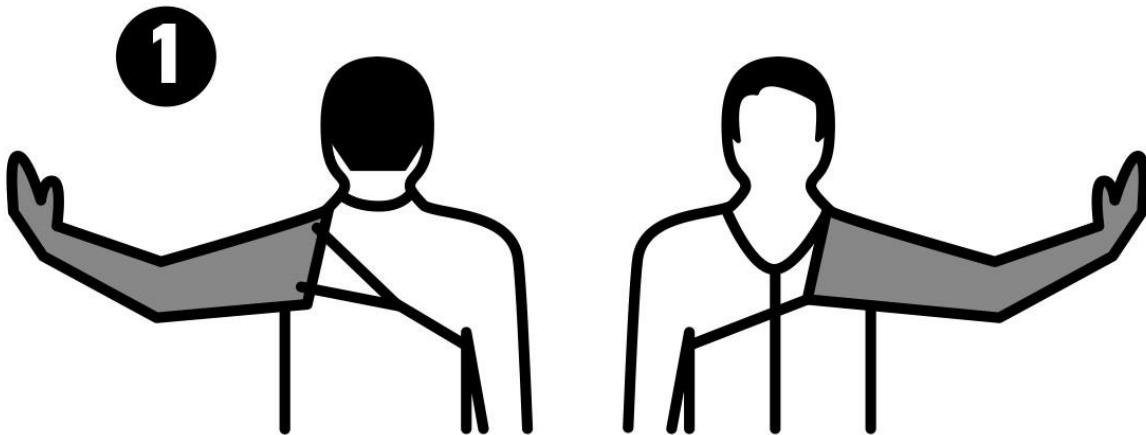
meshFlex® STANDARD Stab protection gloves – Operating Instructions

Finally, when closing the glove using the fastening strap and the push-button buckle, this must be set correctly. The free ends of the fastening straps must be shortened if they are longer than 25 mm. When closing the fastening tape, it is essential to ensure that the slot is covered by the band.

If the wrist or cuff band is defective, you can change it. Open push button A and pull out the (defective) strap. Pull in (new) tape and then fix it again with push button A. If the push button is stiff, use a tool (e.g. screwdriver) to help.



Wearing the glove with shoulder cuff (fullarm):



Care, Cleaning and Maintenance

The gloves must be cleaned with hot water (50°C) after each use and in conjunction with a cleaning agent that is approved for the food industry. It is recommended to brush off the glove if it is heavily soiled in order to remove any residues (e.g. leftover meat). After cleaning, the gloves should be rinsed with water at a minimum temperature of 82°C or disinfected. The gloves can also be cleaned in cleaning machines. To do this, the gloves are hung in appropriate cleaning boxes to ensure the best possible and thorough cleaning. With regard to cleaning, the user must adhere to the employer's valid cleaning plans so that professional hygiene is guaranteed.

Before or after cleaning, do not knock or knock on a hard surface. After cleaning, keep the gloves - hanging if possible - in a cool, dry and well-ventilated place.

meshFlex® STANDARD Stab protection gloves – Operating Instructions

To ensure the best possible protection, the glove must be kept in perfect condition. The glove is subject to natural wear and tear with normal use. Chemical compounds, cleaning agents and fatty acids can also reduce the protection provided. This means that after each cleaning, the glove must be checked for possible damage to the fabric and fastener tape. In the event of visible damage or signs of wear, such as deformed, defective or missing rings, worn fastening straps, the glove must no longer be used and must be replaced. If in doubt, give the glove to a specialist company for inspection. Only use the spare parts manufactured by the manufacturer (**ReiKo aproTex GmbH, meshFlex®**).

Only the manufacturer is authorized to repair defective gloves. Only send defective gloves to the following address by prior arrangement: **ReiKo aproTex GmbH, Ollsener Straße 54a, 21271 Hanstedt, Germany.**

It is important to keep a sufficient number of gloves permanently in stock to ensure that they are readily available.

Warranty / Liability

All **meshFlex®** stab protection products are subject to a quality control of the materials and the finished product during manufacture and before delivery. The user must check that the product is working properly before use. Defective goods must be reported to the manufacturer immediately in accordance with the statutory provisions. In the event of complaints, we are only obliged to replace or repair defective products.

Each meshFlex® stab protection product has an individual serial number on a permanently attached sticker, which enables seamless traceability. This sticker is part of the guarantee and must not be removed under any circumstances. We provide a 24-month guarantee for the welds on the ring mesh. Holes in the fabric that occur without any external influence will be repaired free of charge.

The manufacturer rejects any responsibility and liability claims if the products were not repaired in their own workshops. There are also no guarantee or liability claims if the products were not used in a perfect condition or were not subject to proper use. Only the buyer or user is responsible for the correct use of the safety gloves. The manufacturer and / or seller do not assume any further liability or guarantee than mentioned above.